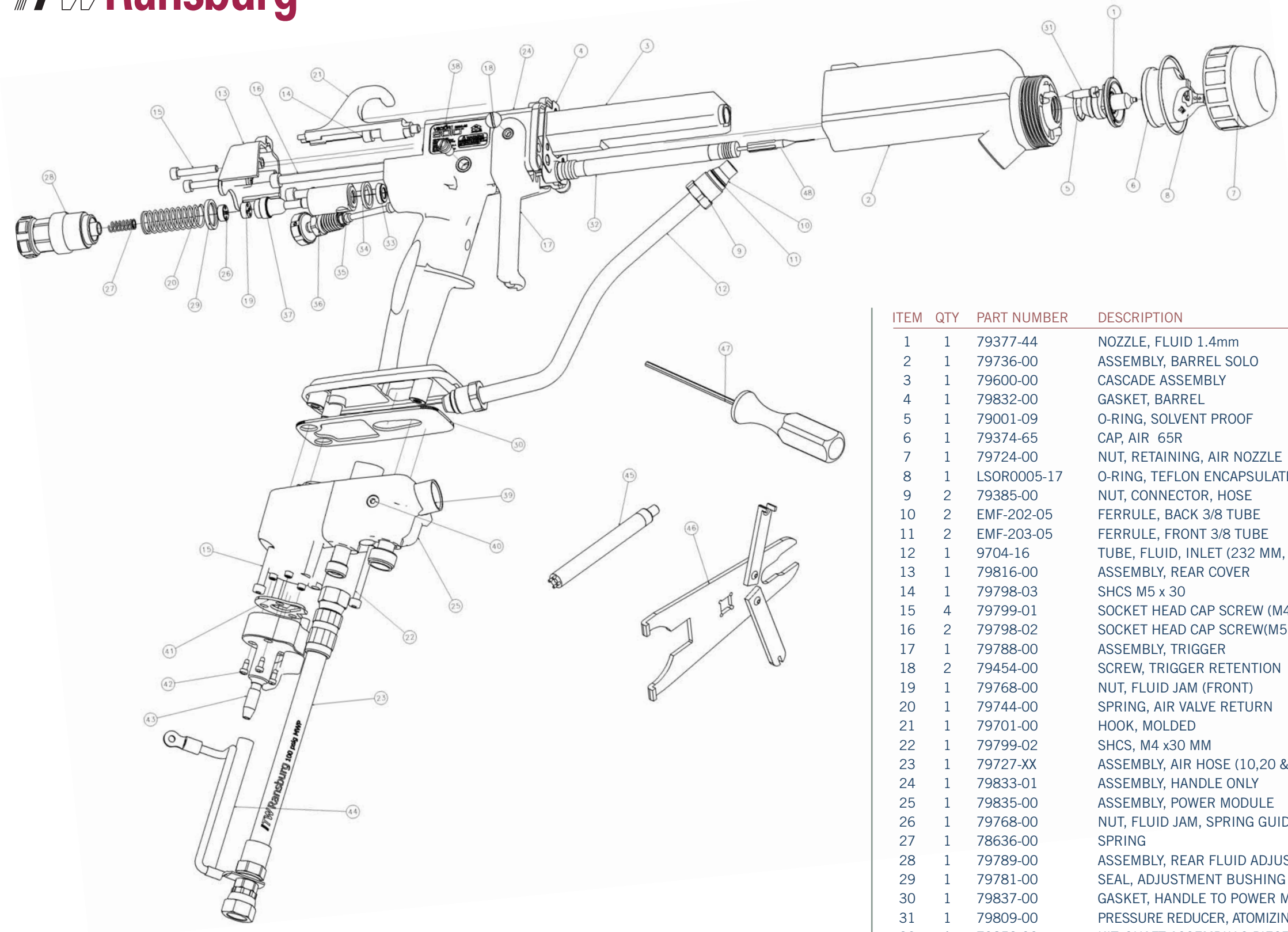


# VECTOR SOLO™

## VECTOR SOLO ACCESSORIES

DESCRIPTION	PART NUMBER
AIR CAP	79374-65
AIR CAP	79374-98
FLUID NOZZLE, 1.4MM (.055)	79377-44
FLUID NOZZLE, 1.8MM (.070)	79377-45
FLUID NOZZLE, 1.4MM (.055), HIGH WEAR	79377-144
FLUID NOZZLE, 1.8MM (.070), HIGH WEAR	79377-145
AIR CAP, SWIRL PATTERN	79542-00
FLUID NOZZLE, SWIRL PATTERN	79544-00
ELECTRODE, STANDARD	70430-00
ELECTRODE, HI-FLEX	70430-01
DIELECTRIC GREASE, (4) 1-OZ TUBES	59972-00
GUN COVERS	GC-100-K5
<b>TEST EQUIPMENT</b>	
SPRAYABILITY / PAINT TEST METER / KV PROBE	76652-01
SPRAYABILITY / PAINT TEST METER	76652-02
SPRAYABILITY / PAINT TEST METER / KV PROBE	76652-03
GUN OUTPUT TEST LEADS (NO METER INCLUDED)	76664-00
PAINT TEST PROBE (NO METER INCLUDED)	7922-00
DELUXE TEST EQUIPMENT PACKAGE	76652-04
INCLUDES: SPRAYABILITY / PAINT TEST METER	
TEST LEADS, KV PROBE KIT, HANDY CARRY CASE	
<b>SAFETY EQUIPMENT</b>	
ALIGATOR GROUNDING CLIP CABLE	LSME4000-00
CONDUCTIVE GLOVES	76633-00
ADJUSTABLE GROUNDING STRAP	70289-01
ANKLE GROUNDING STRAP	70289-02
LEG GROUNDING STRAP	70289-03
GUN HANGER	76102-00
*C* CLAMP GROUND WIRE ASSEMBLY	70539-00
SOLVENT / CLEANING CAN	5170-00
PALM / WRIST GROUNDING - MEDIUM	70289-04
PALM / WRIST GROUNDING - LARGE	70289-05

**ITW Ransburg**



## VECTOR SOLO PARTS

ITEM	QTY	PART NUMBER	DESCRIPTION
1	1	79377-44	NOZZLE, FLUID 1.4mm
2	1	79736-00	ASSEMBLY, BARREL SOLO
3	1	79600-00	CASCADE ASSEMBLY
4	1	79832-00	GASKET, BARREL
5	1	79001-09	O-RING, SOLVENT PROOF
6	1	79374-65	CAP, AIR 65R
7	1	79724-00	NUT, RETAINING, AIR NOZZLE
8	1	LSOR0005-17	O-RING, TEFLON ENCAPSULATED
9	2	79385-00	NUT, CONNECTOR, HOSE
10	2	EMF-202-05	FERRULE, BACK 3/8 TUBE
11	2	EMF-203-05	FERRULE, FRONT 3/8 TUBE
12	1	9704-16	TUBE, FLUID, INLET (232 MM, 9 1/8 LG)
13	1	79816-00	ASSEMBLY, REAR COVER
14	1	79798-03	SHCS M5 x 30
15	4	79799-01	SOCKET HEAD CAP SCREW (M4 X 25MM)
16	2	79798-02	SOCKET HEAD CAP SCREW(M5 X 80MM)
17	1	79788-00	ASSEMBLY, TRIGGER
18	2	79454-00	SCREW, TRIGGER RETENTION
19	1	79768-00	NUT, FLUID JAM (FRONT)
20	1	79744-00	SPRING, AIR VALVE RETURN
21	1	79701-00	HOOK, MOLDED
22	1	79799-02	SHCS, M4 x30 MM
23	1	79727-XX	ASSEMBLY, AIR HOSE (10,20 & 30 M)
24	1	79833-01	ASSEMBLY, HANDLE ONLY
25	1	79835-00	ASSEMBLY, POWER MODULE
26	1	79768-00	NUT, FLUID JAM, SPRING GUIDE
27	1	78636-00	SPRING
28	1	79789-00	ASSEMBLY, REAR FLUID ADJUSTMENT
29	1	79781-00	SEAL, ADJUSTMENT BUSHING
30	1	79837-00	GASKET, HANDLE TO POWER MODULE
31	1	79809-00	PRESSURE REDUCER, ATOMIZING AIR (YELLOW)
32	1	79853-00	KIT, SHAFT ASSEMBLY 2-PIECE NEEDLE
33	1	79760-00	SEAL, AIR VALVE
34	1	79769-00	SEAL, AIR CARTRIDGE
35	1	79770-00	CARTRIDGE, AIR VALVE
36	1	79759-00	ASSEMBLY, FAN AIR ADJUST VALVE
37	1	79772-00	ASSEMBLY, AIR VALVE
38	1	79847-00	VALVE, ATOM ADJUST
39	1	79755-00	FLUID INLET
40	1	79814-00	SHCS M4 X 20MM
41	1	79836-00	GASKET, EXHAUST
42	3	79805-00	SCREW
43	1	79843-00	ASSEMBLY, EXHAUST HOUSING
44	1	79861-00	HOSE, EXHAUST
45	1	79793-00	JAM NUT REMOVAL/SEAL INSTALL TOOL
46	1	79854-00	WRENCH, SOLO
47	1	79862-01,03	2.5MM, 3MM, 4MM HEX DRIVER
48	1	70430-01	ELECTRODE, HI-FLEX